

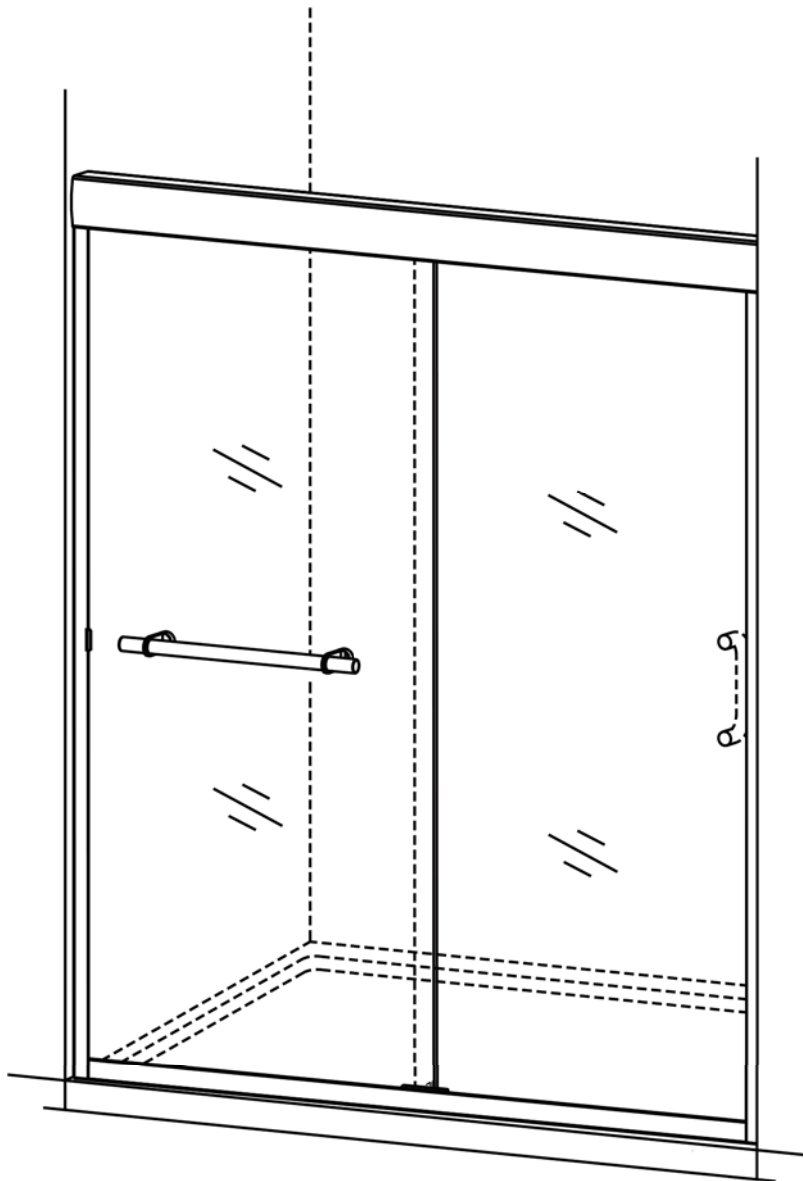
AZUL SLIDING

MISENO

IMPORTANT: Record the Model No. (see carton) of your tub or shower enclosure for future reference.

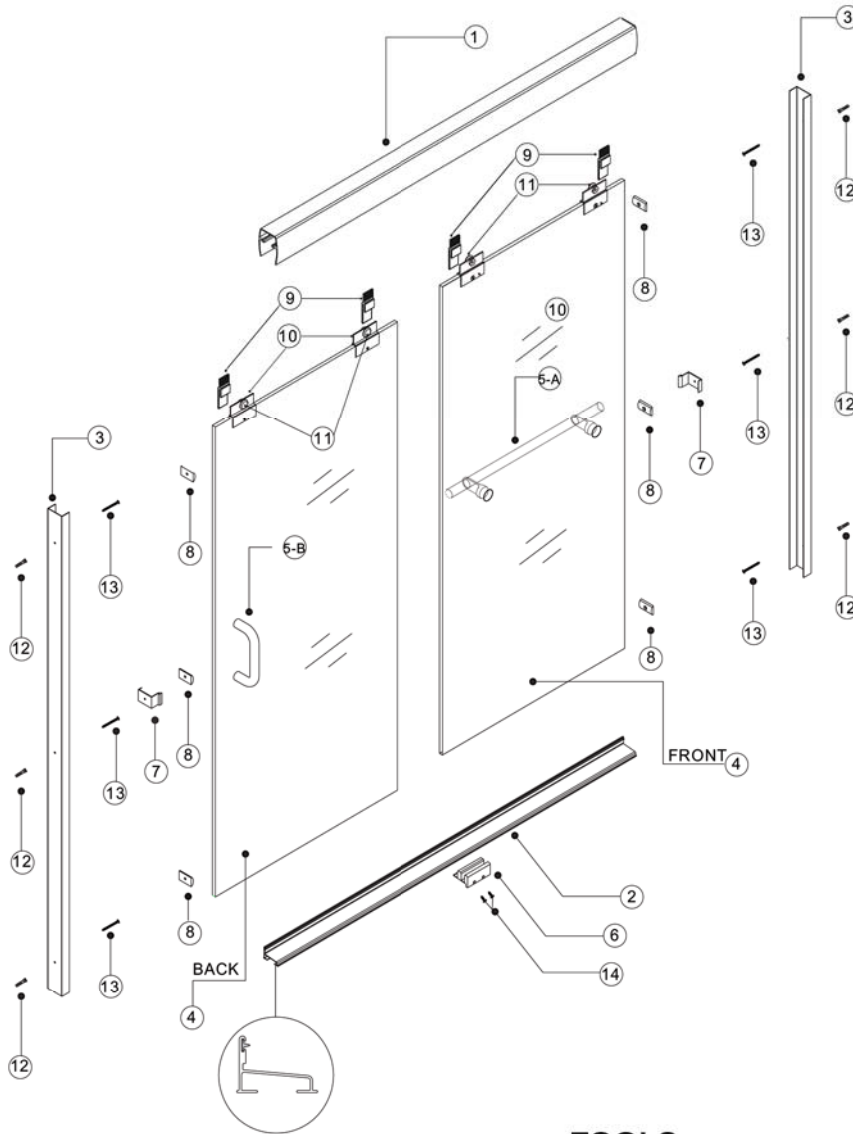
Model No. _____

READ THE INSTRUCTIONS CAREFULLY, familiarize yourself with all the parts as shown in the exploded view. The exploded view will also provide a helpful reference when relating to the location of the various parts and how they are mounted.



AZUL SLIDING

MISENO



• PART LIST.

TOP TRACK (1 pcs)	BOTTOM TRACK (1 pcs)	WALL JAMB (2 pcs)	DOOR PANEL (FRONT/BACK)
TOWEL BAR (1 pcs)	HANDLE (1 pcs)	GUIDE (1 pcs)	BUMPER GUIDE (2 pcs)
WALL BUMPER (6 pcs)	SAFE SLIDER CLIP (4 pcs)	GLASS HOLDER (4 pcs)	ROLLER (4 pcs)
WALL PLUG (6 pcs)	SCREW (6 pcs) 4x38mm	SCREW (2 pcs) 4x9mm	WRENCH (1 pcs) 2x60mm
			INSTALL BAR (1 pcs) 3x100mm

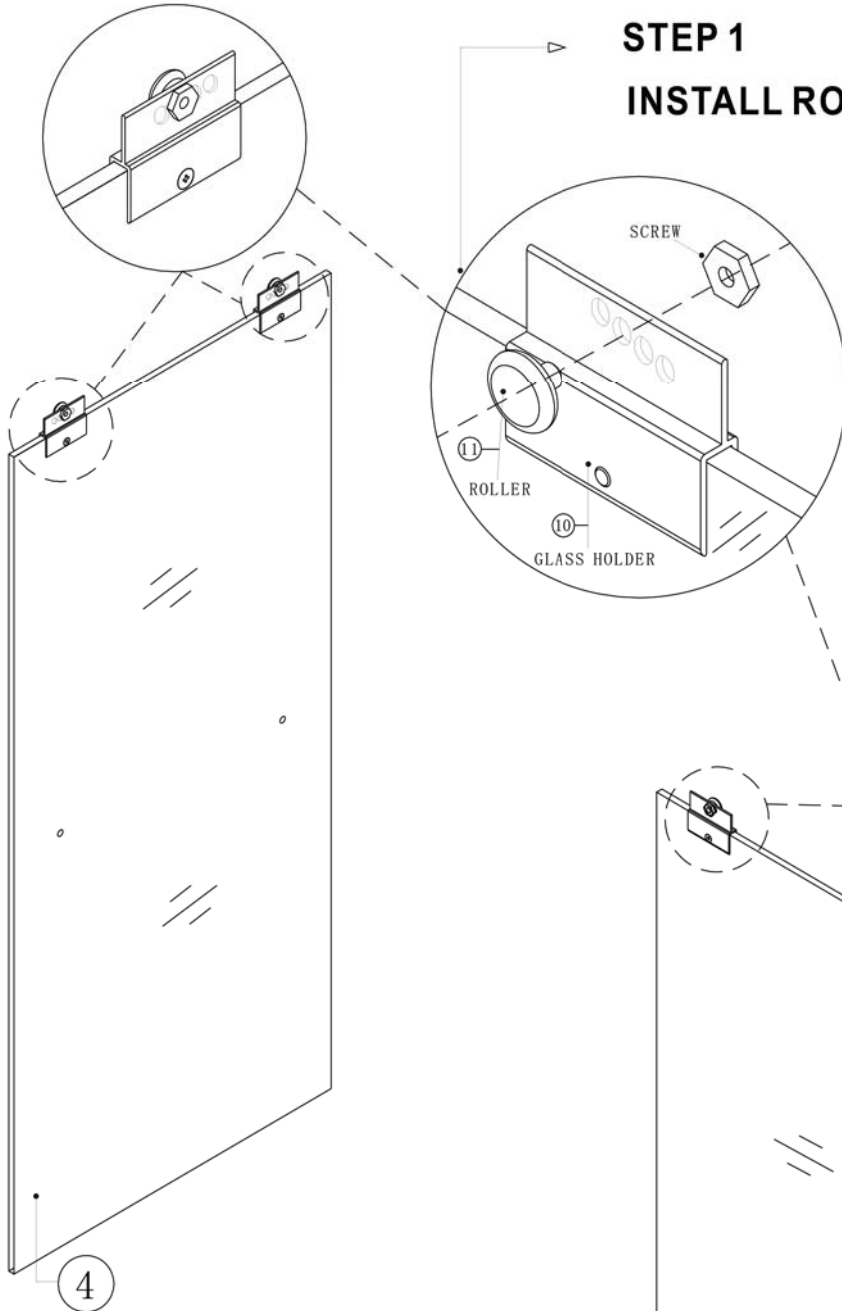
• TOOLS.

MEASURE TAPE	
SCREW DRIVERS	

AZUL SLIDING

MISENO

STEP 1 INSTALL ROLLER



NOTE
BE SURE TO MOUNT
ROLLER ON OPPOSITE
SIDE OF HOLDER AS
SCREW HEAD.

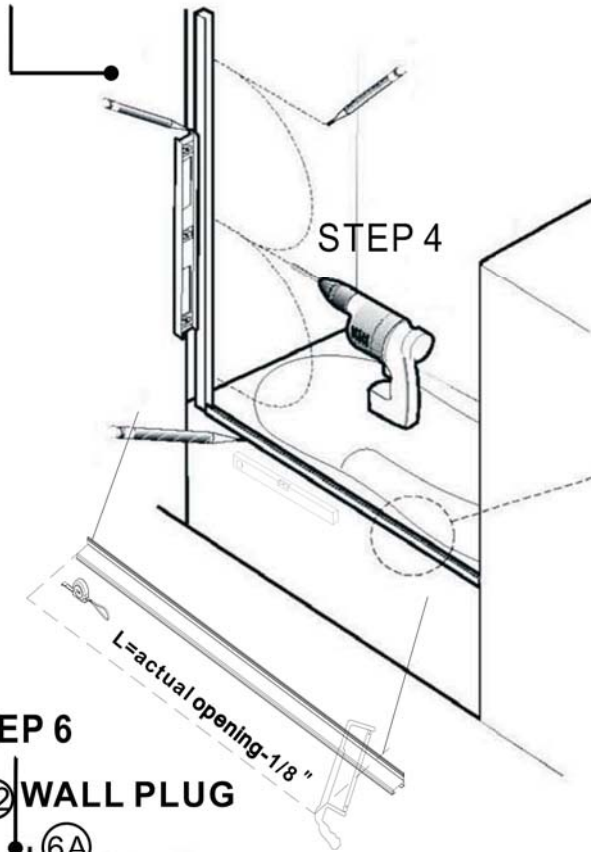
DOOR PANEL (FRONT)

STEP 2 INSTALL ROLLER

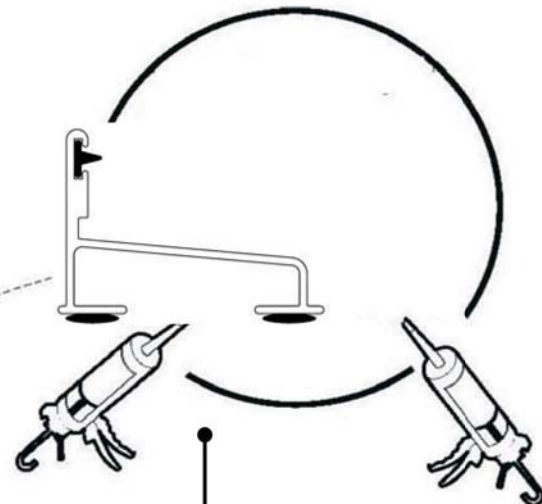
AZUL SLIDING

MISENO

STEP 3 REPEAT ON BOTH SIDE

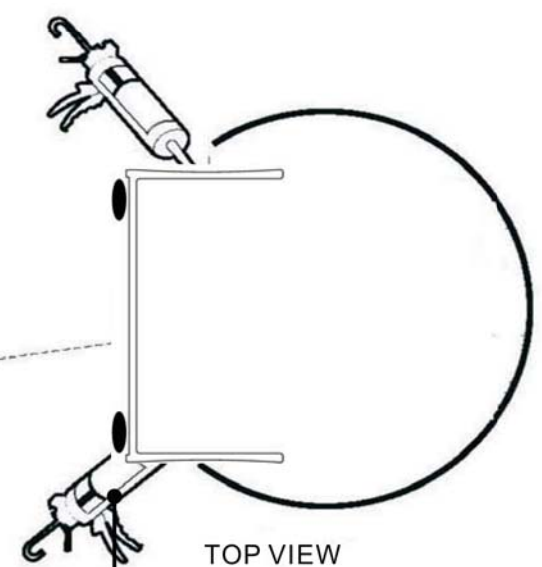
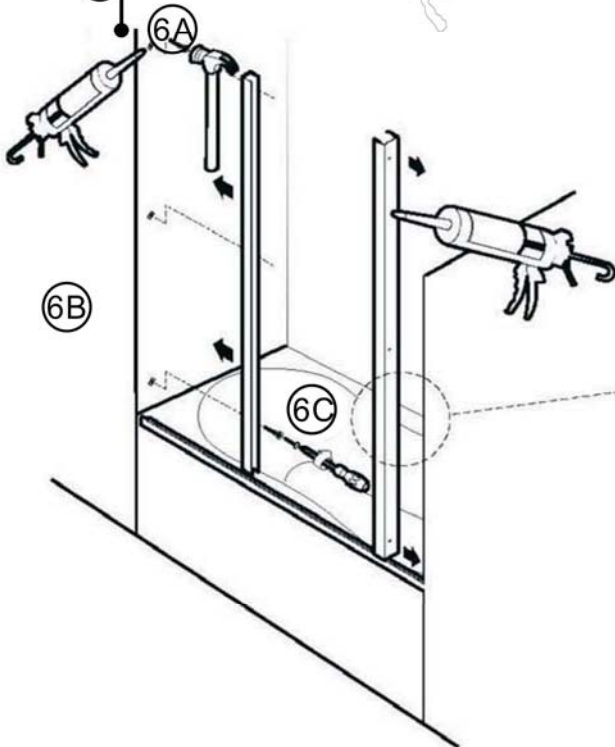


STEP 5 ←
BOTTOM TRACK SILICONE UNDERNEATH



STEP 6

12 WALL PLUG



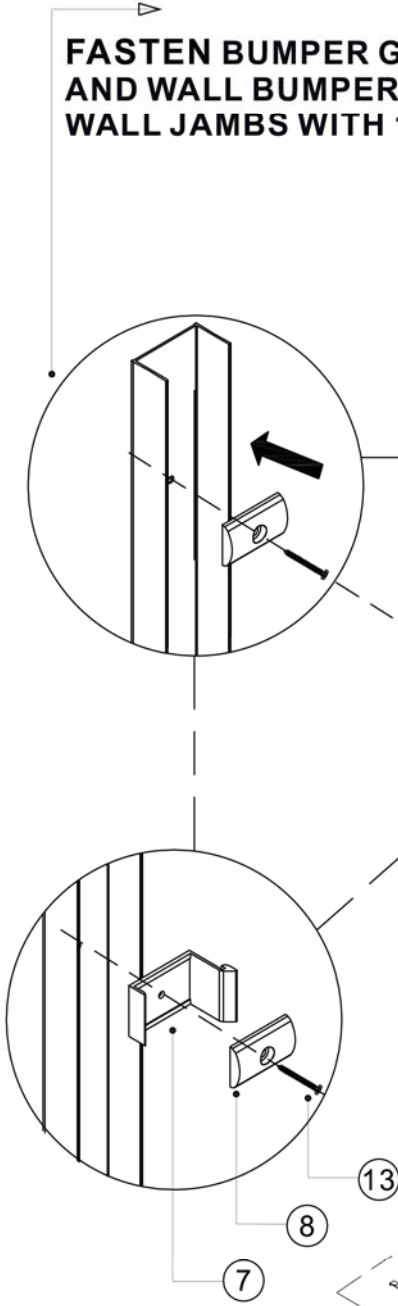
STEP 7 ←
WALL JAMB SILICONE ON BACK SIDE

AZUL SLIDING

MISENO

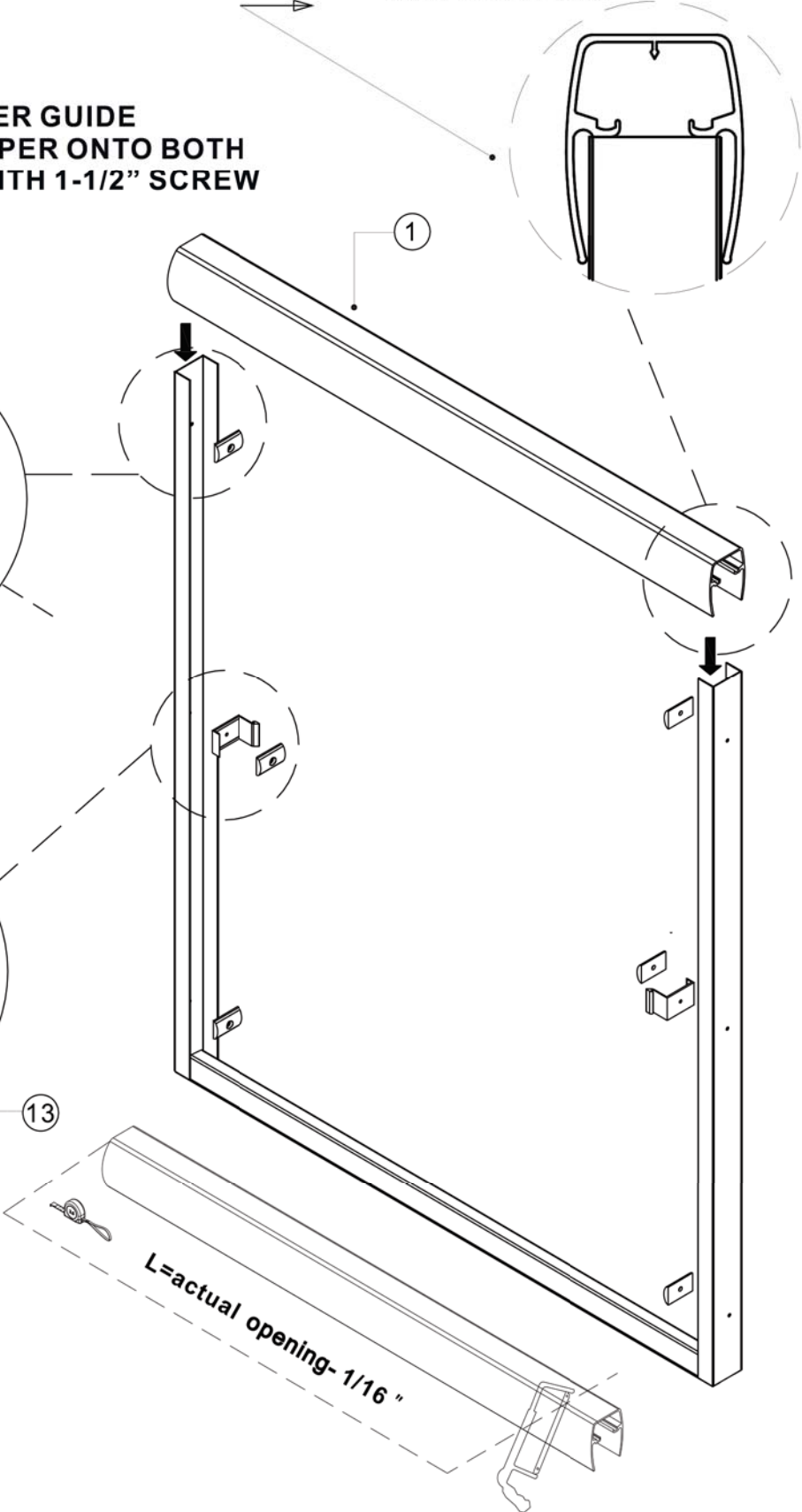
STEP 8

FASTEN BUMPER GUIDE AND WALL BUMPER ONTO BOTH WALL JAMBS WITH 1-1/2" SCREW



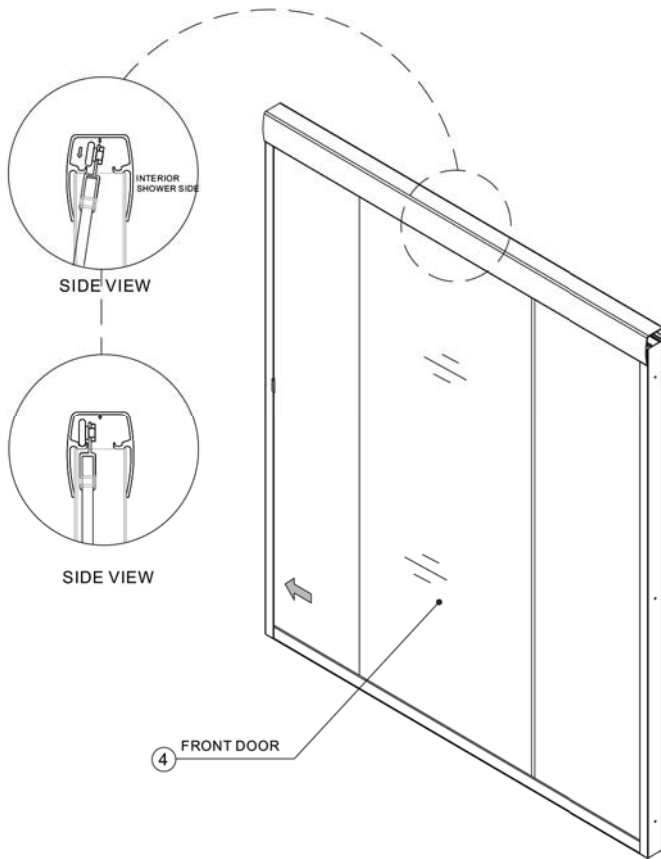
STEP 9

PLACE TOP RAIL ON THE WALL JAMBS.



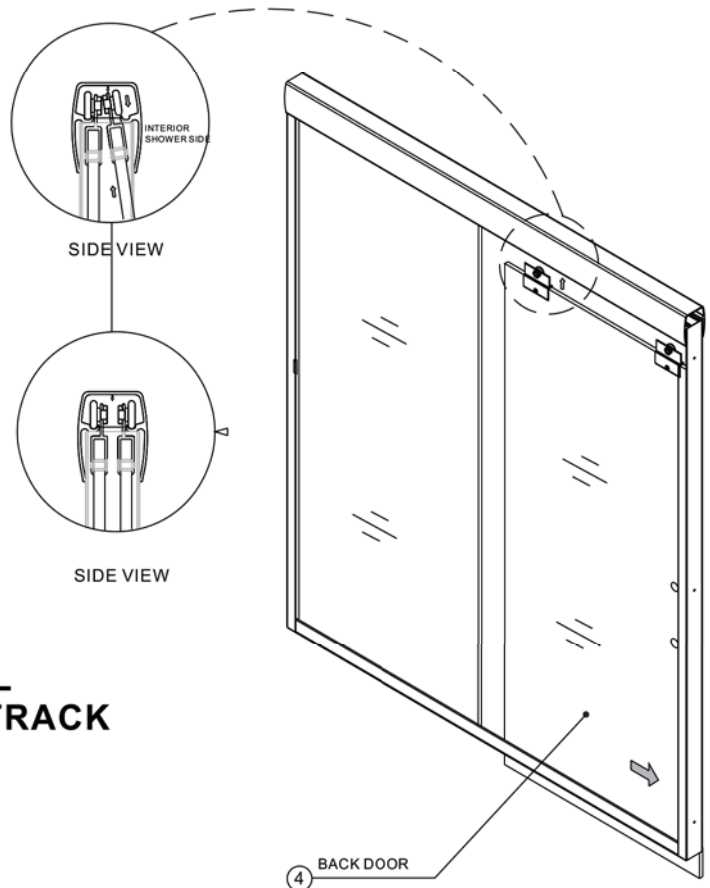
MISENO

AZUL SLIDING



STEP 10

**INSERT OUTER DOOR PANEL
BY LIFTING UP & INTO TOP TRACK**



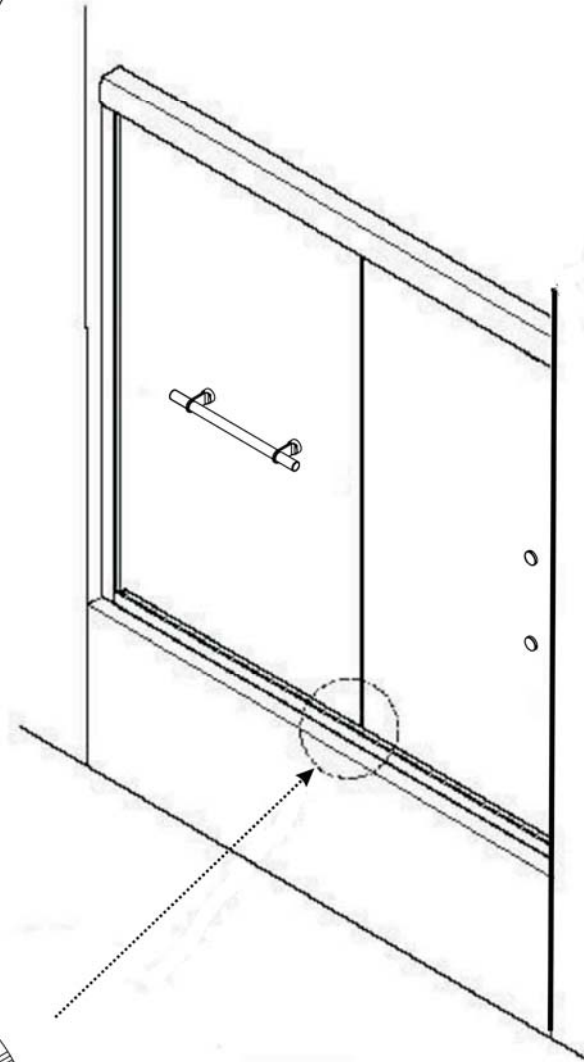
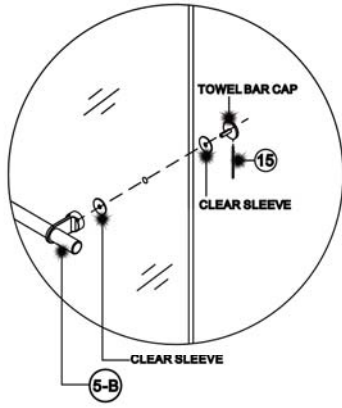
STEP 11

**INSERT INNER DOOR PANEL
BY LIFTING UP & INTO TOP TRACK**

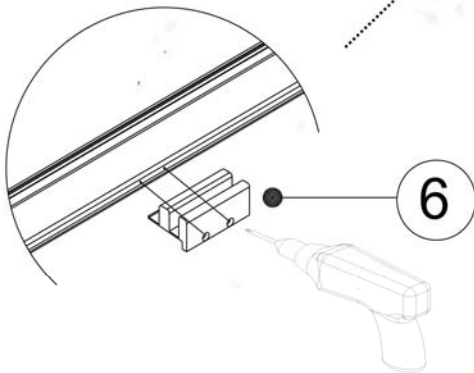
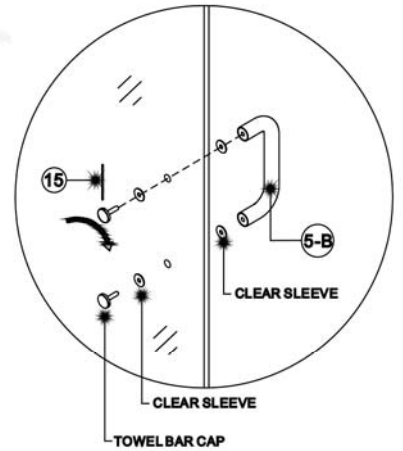
AZUL SLIDING

MISENO

STEP 12 INSTALL TOWEL BAR

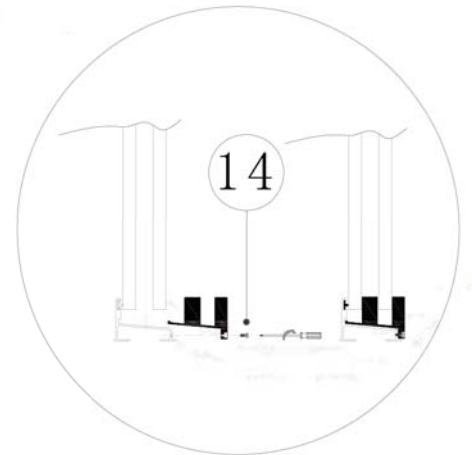


STEP 13 INSTALL HANDLE



STEP 14

INSTALL GUIDE WITH 3/8" SCREWS

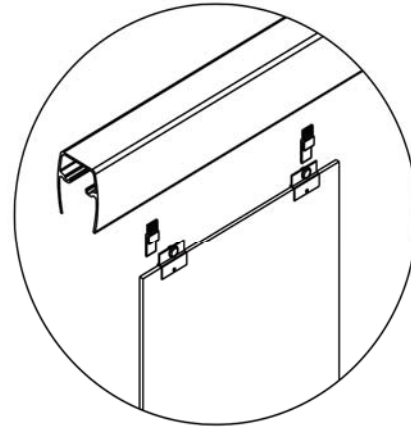


SIDE VIEW

AZUL SLIDING

MISENO

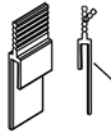
STEP 16 AT LAST. INSTALL SAFE SLIDER CLIP



9

a

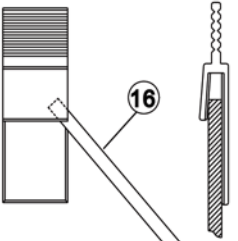
TRIM ANTI-JUMPING CLIP IF NECESSARY



9

SAFE SLIDER CLIP

b



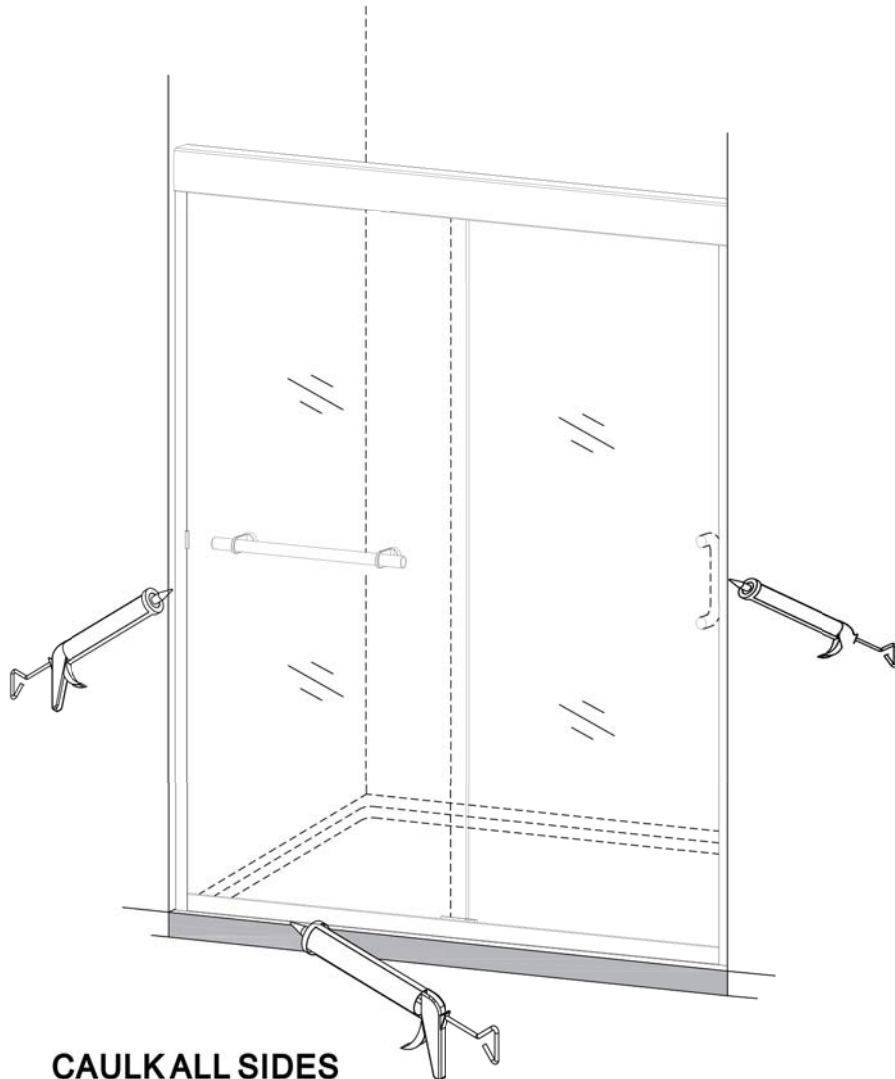
16

Install bar

To install Anti-Jumping clip. Put install bar #16 into clip and lift onto clip hanger pull down leaving clip in place.



24 Hours



CAULK ALL SIDES